



**Electrolux**  
PROFESSIONAL

**Beverage Dispensing System  
Chilled Juice Dispenser**

ITEM # \_\_\_\_\_

MODEL # \_\_\_\_\_

NAME # \_\_\_\_\_

SIS # \_\_\_\_\_

AIA # \_\_\_\_\_



**560029 (FJUICE)**

Chilled Juice Dispenser with  
4-flavor dispensers or 3-  
flavor and 1 Water Dispenser  
(3 l capacity each), R134a

**Short Form Specification**

**Item No.** \_\_\_\_\_

Dispense chilled beverages produced starting from concentrate juice. Pressure-sealed insulated tank assures that the juice temperature doesn't change even in case of continuous dispense. Water level in the tank is automatically restores after every dispense. It can be used both with glass or jug. Pre-set dose or push control dispensing can be settled.

**Main Features**

- Dispense chilled beverages produced starting from concentrate juice.
- Pressure-sealed insulated tank assures that the juice temperature doesn't change even in case of continuous dispense.
- Water level in the tank is automatically restored after every dispense.
- It can be used both with glass or jug.
- Pre-set dose or push control dispensing can be settled.

**Construction**

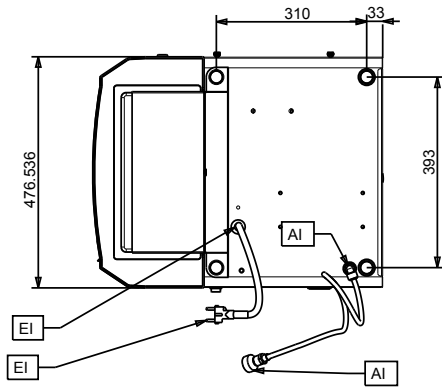
- The unit is provided with 3/4 inch connection pipe for water inlet.

**APPROVAL:** \_\_\_\_\_

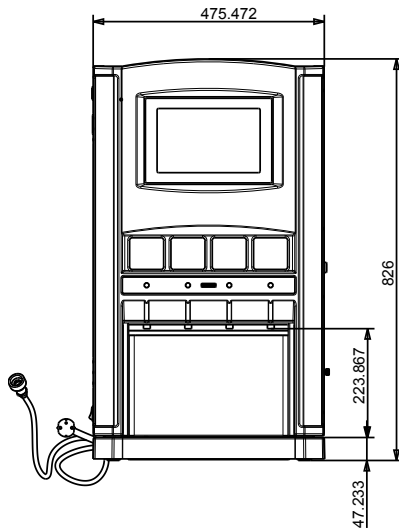


Experience the Excellence  
[www.electroluxprofessional.com](http://www.electroluxprofessional.com)

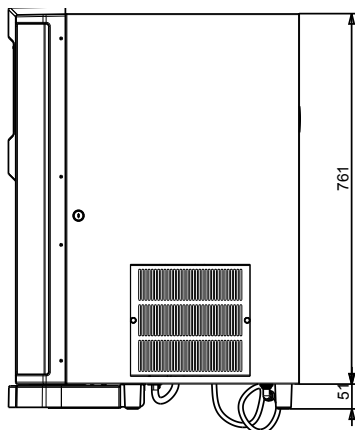
Other



Front



Side



## Electric

### Supply voltage:

560029 (FJUICE) 220-230 V/1 ph/50/60 Hz

### Electrical power max.:

0.33 kW

## Key Information:

External dimensions, Width: 475 mm

External dimensions, Depth: 600 mm

External dimensions, Height: 820 mm

Net weight: 50 kg

## Sustainability

Refrigerant type: R134a

Refrigerant weight: 100 g